



# ST-66A

## MICROPHONE STAND

The ST-66A is a desktop microphone stand, and the stand shaft of two sections is provided. The upper shaft can be freely raised and lowered from 225 mm to 340 mm in height. The unit is supplied with the clip type microphone holder allowing to hold the microphone body by 35 mm in maximum diameter.

---



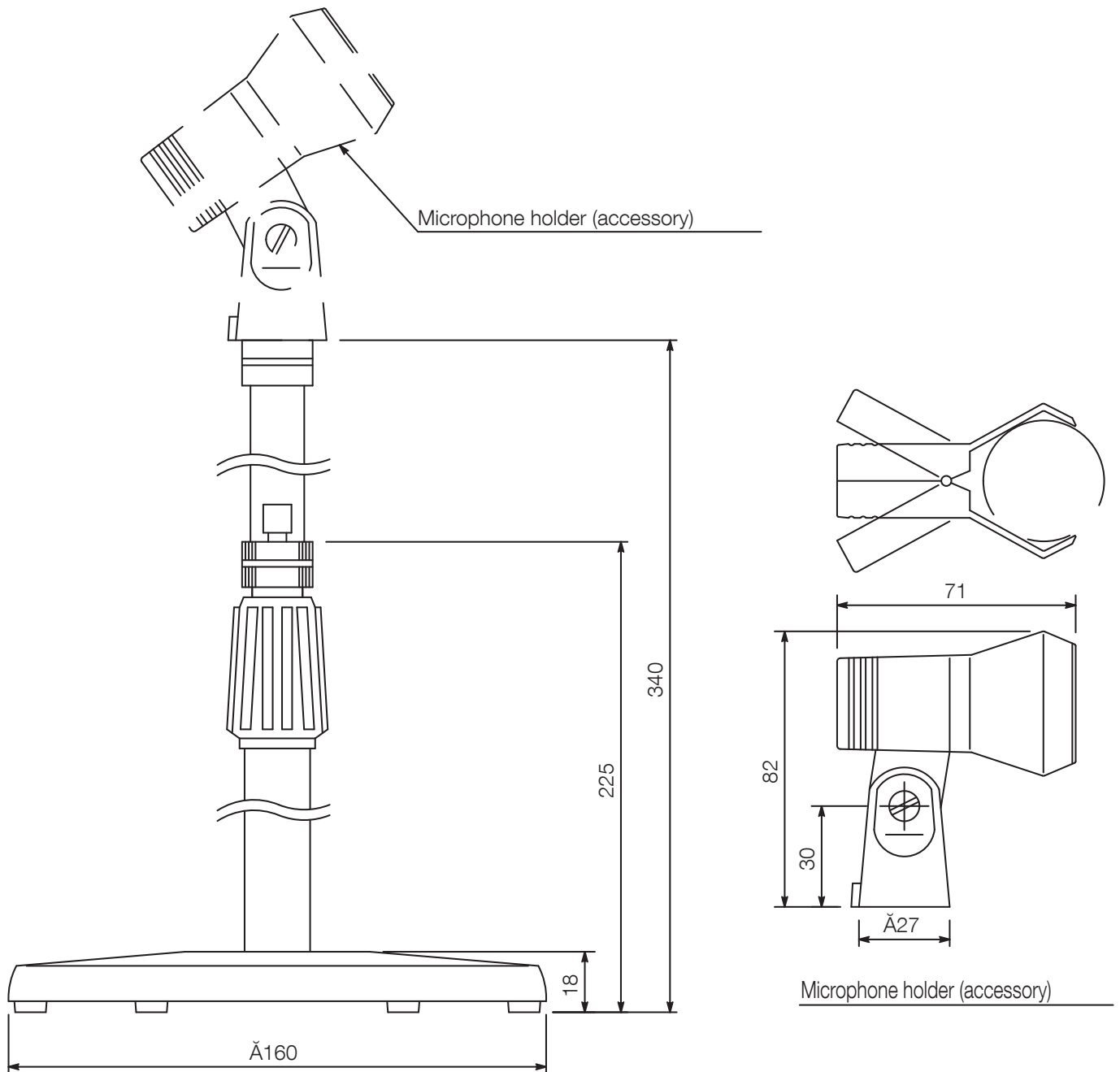
Article number: ST-66A  
Alternative products: ST-321B, ST-322B,  
ST-65A

---

### Specifications

|         |                           |
|---------|---------------------------|
| Finish. | semi-gloss, paint, black, |
|---------|---------------------------|

Appearance



UNIT:mm SCALE:1/2